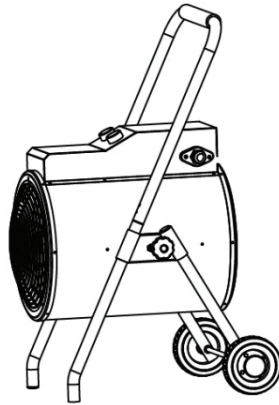




# **FANMASTER**

**COOLING HEATING VENTILATION EXTRACTION**

## **INSTRUCTION MANUAL**



### **PORTABLE ELECTRIC SPACE HEATER**

**MODEL: PESH30**

**FOR INDUSTRIAL USE ONLY**

**TO PREVENT SERIOUS INJURY, READ & UNDERSTAND ALL WARNINGS & INSTRUCTIONS BEFORE USE. PLEASE KEEP THIS DOCUMENT FOR YOUR RECORDS**

# FOR YOUR INFORMATION

Thank you for purchasing a Fanmaster electric space heater. Please read this instruction manual carefully before using this heater.

## **Disclaimer:**

Fanmaster reserves the right to make alterations to specifications, quantities, dimensions, for production or other reasons, subsequent to publication.

While we believe the information is accurate and complete, we make no warranty or representation for any particular purposes. The information is offered in good faith and with the understanding that any use of the units or accessories in breach of the directions and warnings in this document is at the sole discretion and risk of the user.

## **Disposal Guidelines:**

Do not dispose of this product with general household waste. This product must be disposed according to the laws governing Waste Electrical and Electronic Equipment. If required, contact your local authorities for information regarding the available disposal facilities.



# 1. GENERAL SAFETY RULES & WARNINGS



- PLEASE READ INSTRUCTIONS CAREFULLY.
- PLACE INSTRUCTION MANUAL IN A SAFE PLACE FOR FUTURE REFERENCE. DO NOT ALLOW ANYONE WHO HAS NOT READ THESE INSTRUCTIONS TO ASSEMBLE, ADJUST OR OPERATE THIS HEATER.
- IF THE INFORMATION IN THIS MANUAL IS NOT FOLLOWED EXACTLY, A FIRE OR EXPLOSION MAY RESULT IN CAUSING PROPERTY DAMAGE, SERIOUS INJURY OR LOSS OF LIFE.
- FAILURE TO COMPLY WITH THE PRECAUTIONS AND INSTRUCTIONS PROVIDED WITH THIS HEATER, CAN RESULT IN DEATH, SERIOUS INJURY AND PROPERTY LOSS OR DAMAGE FROM HAZARDS OF FIRE, EXPLOSION, BURN, AND/OR ELECTRICAL SHOCK.
- ONLY PERSONS WHO CAN UNDERSTAND AND FOLLOW THE INSTRUCTIONS SHOULD USE OR SERVICE THIS HEATER. IF YOU NEED ASSISTANCE OR REQUIRE HEATER INFORMATION SUCH AS AN INSTRUCTION MANUAL, LABELS, ETC. CONTACT FANMASTER.
- DO NOT STORE OR USE GASOLINE, PETROL OR ANY OTHER FLAMMABLE OR COMBUSTIBLE VAPORS AND LIQUIDS IN THE VICINITY OF THIS HEATER.
- FIRE, BURN, INHALATION, AND EXPLOSION HAZARD. KEEP SOLID COMBUSTIBLES, SUCH AS BUILDING MATERIALS, PAPER OR CARDBOARD, A SAFE DISTANCE AWAY FROM THE HEATER AS RECOMMENDED BY THE INSTRUCTIONS. NEVER USE THE HEATER IN SPACES WHICH DO OR MAY CONTAIN VOLATILE OR AIRBORNE COMBUSTIBLES, OR PRODUCTS SUCH AS GASOLINE, SOLVENTS, PAINT THINNER, DUST PARTICLES OR UNKNOWN CHEMICALS
- NOT FOR DOMESTIC OR RECREATIONAL VEHICLE USE
- THE ELECTRICAL SYSTEM TO WHICH THE APPLIANCE IS CONNECTED MUST COMPLY WITH LOCAL REGULATIONS. A RESIDUAL-CURRENT DEVICE (RCD) MUST BE INSTALLED.
- UNPLUG THE APPLIANCE BEFORE PERFORMING ANY MAINTENANCE OPERATIONS.
- ALWAYS CHECK THE POWER CABLE BEFORE USING THE APPLIANCE. IT MUST NOT BE BENT, TAUT, STRETCHED, CRUSHED OR ANY WAY DAMAGED.
- IF THE POWER CORD AND/OR PLUG IS DAMAGED, IT MUST BE REPLACED BY FANMASTER, A SERVICE AGENT OR A QUALIFIED PERSONS.
- DO NOT COVER THE FAN HEATER
- THE FRONT OUTLET IS VERY HOT DURING OPERATION. DO NOT TOUCH! BURN DANGER.
- DO NOT LEAVE THE HEATER UNATTENDED WHEN IN USE.
- NEVER USE THE HEATER WITH WET HANDS OR WHEN EITHER THE HEATER OR THE POWER CABLE IS WET.
- CHILDREN SHOULD BE SUPERVISED TO ENSURE THAT THEY DO NOT PLAY WITH THE HEATER.
- THE HEATER IS NOT INTENDED FOR USE BY PERSONS (INCLUDING CHILDREN) WITH REDUCED PHYSICAL, SENSORY OR MENTAL CAPABILITIES, OR LACK OF EXPERIENCE & KNOWLEDGE.

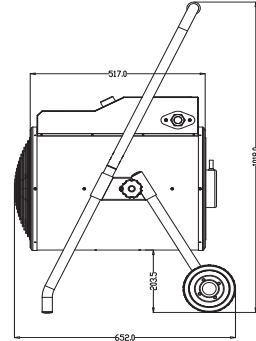
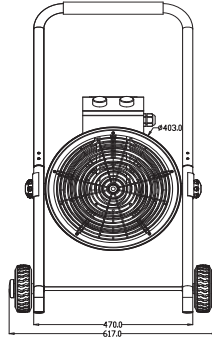
# 2. PRODUCT DESCRIPTION & SPECIFICATIONS

## PRODUCT DESCRIPTION

Industrial electric space/fan heater.

## SPECIFICATIONS

MODEL	PESH30
Heat Output	30 KW 102,360 BTU
Air Flow (L/s)	261
Control settings	1 x Fan setting 2 x Heat settings
Settings (KW)	Fan Only/15/30
Voltage (V/Hz)	415/50
Plug	4 Pin 50amp
Adjustable thermostat	70°C
Net Weight (kg)	35
Dimensions (mm)	652(L)*617(W)*1018(H)



## SAFETY DEVICES

- **Time Delay Thermostat** - the fan will continue to run once the heating elements have been turned off

## INSTRUCTIONS FOR MANUAL RESET

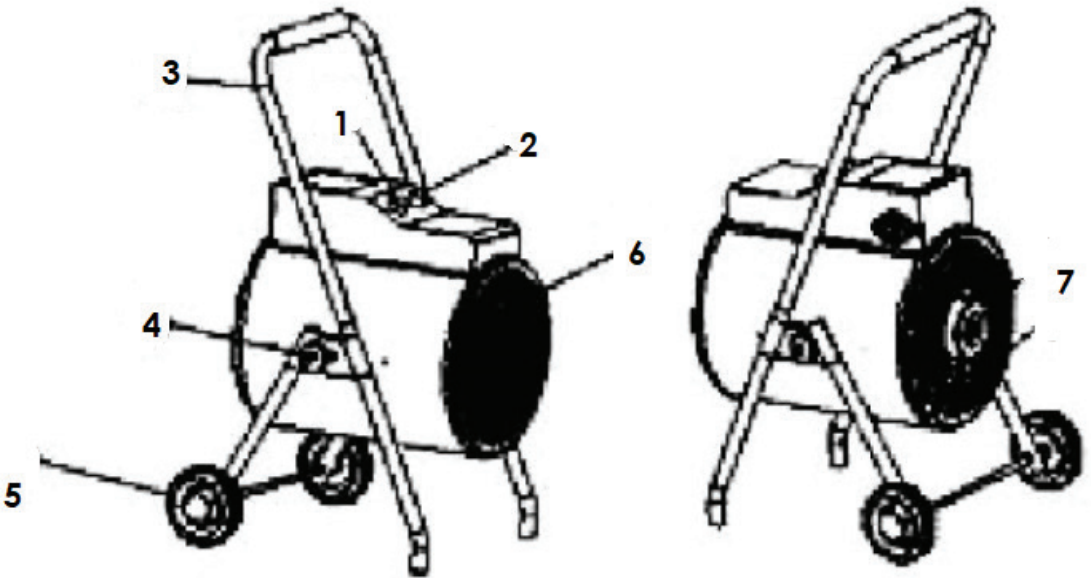
When the product is overheated or in abnormal use, the manual reset thermal circuit breaker will act and shut down the equipment. Unplug the plug from the socket, let the equipment cool, and then press the manual reset button through the small hole on the panel with a suitable steel needle. When you hear a clear click, it means that the circuit is connected, plug it back into the socket and turn on the heater (see the manual reset button in the figure).

## TIP OVER SAFETY SWITCH

This heater is equipped with a tip-over safety feature. Once the heater is tipped over, an internal switch will automatically shut the heater off. Once the heater is restored an upright position, the heater will reset and continue to operate.

### 3. GETTING TO KNOW YOUR HEATER

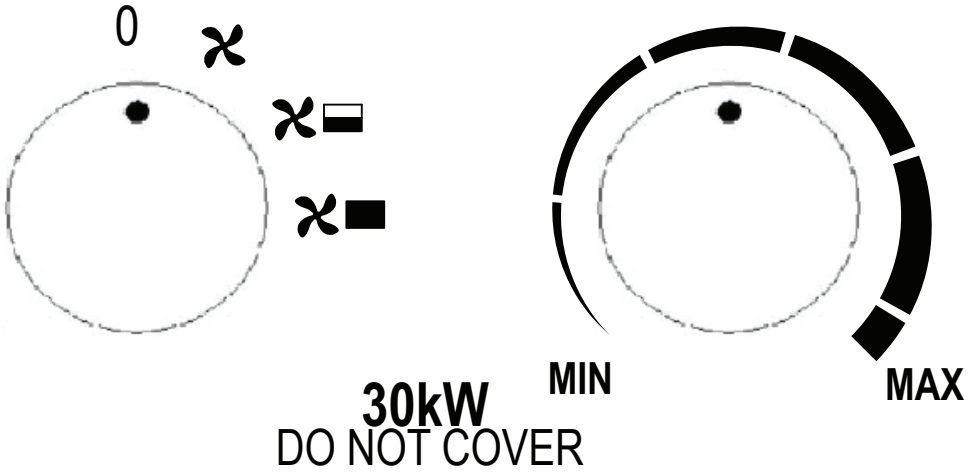
Remove the heater from the carton. If the heater is damaged, please contact Fanmaster or where you purchased the heater from.



1. Thermostat Knob
2. Switch Knob
3. Handle
4. Adjustment Knob
5. Wheels
6. Front grille
7. Fan Motor

# 3. GETTING TO KNOW YOUR HEATER - CONTINUED

## CONTROL PANEL



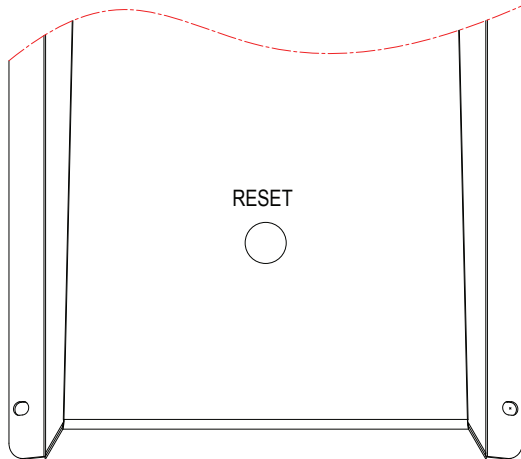
- **Left Knob** = switch control settings
- **Right Knob** = thermostat control

The rotary switch (left knob) has 3 settings & 4 positions:

- OFF
- 1st Setting: Fan Only
- 2nd Setting: Heating 15KW
- 3rd Setting: Heating 30KW

The adjustable thermostat control (right knob) can be turned 0 to 270 degree, you can control the room temperature between 0~70°C.

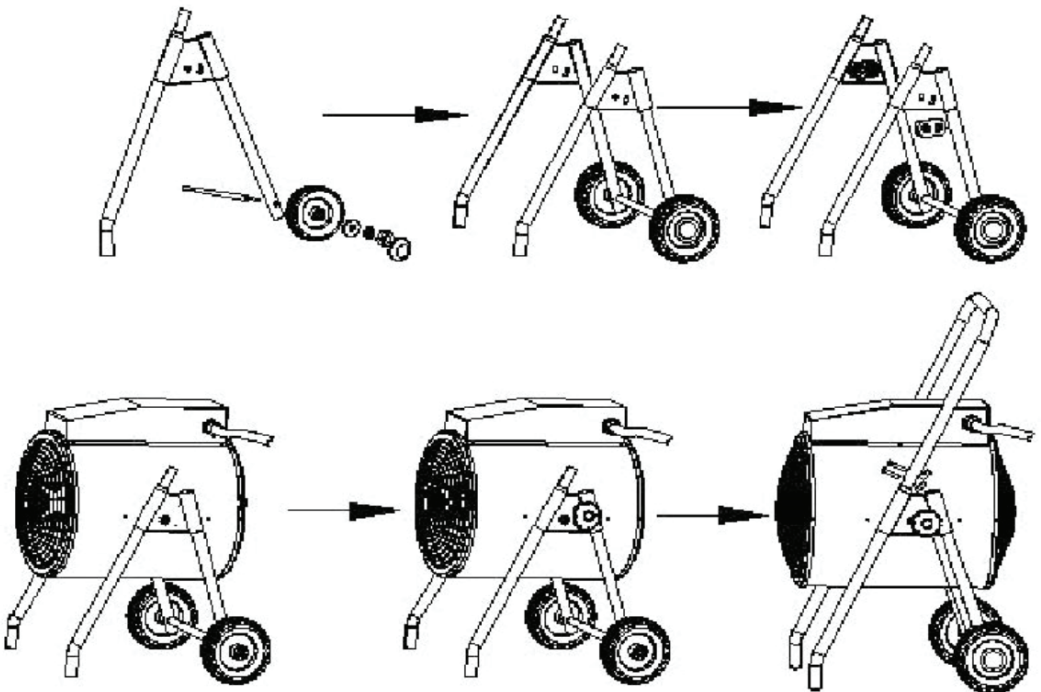
## Manual Reset



# 4. ASSEMBLY & OPERATING INSTRUCTIONS

First time use, you may notice a slight emission of smoke. This is quite normal & it will stop after a short time. The heating element is made of stainless steel & is coated with a protection oil.

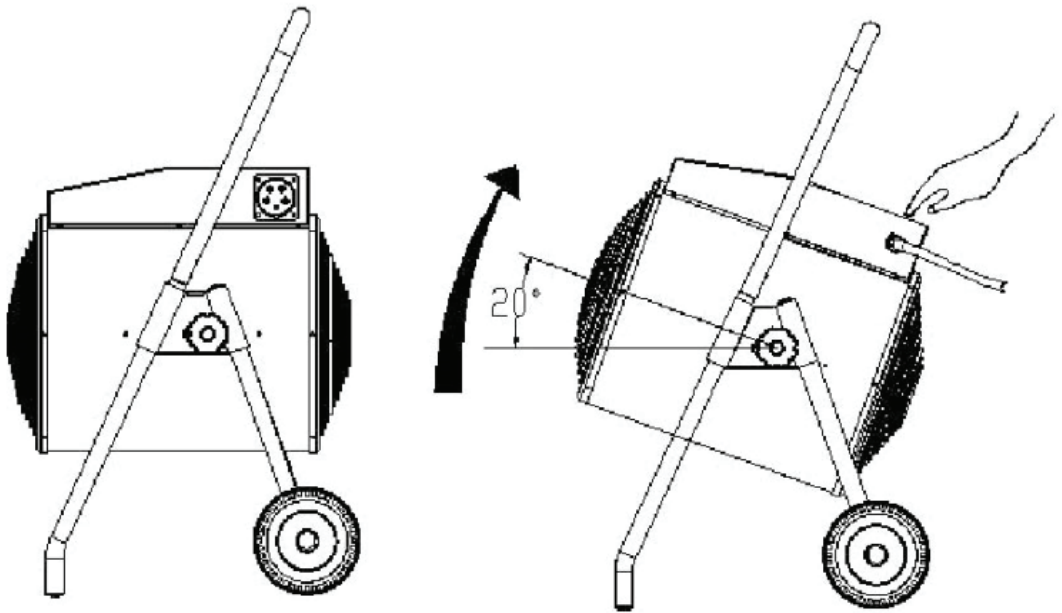
- Connect one wheel to the axle using  $\varnothing 8$  fixed plated,  $\varnothing 8$  spring washer & wheel cover & insert axle via the steel frame.
- Connect the second wheel as per above instructions, tighten the M8 nut
- Insert & align the packing plates at the top of the steel frame.
- Attach the steel frame to the heater body with the M8 x43.5 screws & adjustment knobs.
- Attach the handle by using the 4 x M5x37 screws & nuts.
- Position the heater so it stands upright & is on a firm surface and at a safe distance from wet environments and flammable objects.
- Connect the plug to the relevant power source.
- Set the thermostat control (left knob) to **MAX** & switch control (right knob) to the highest setting and let the heater operate on full power for 5 to 10 minutes.
- Adjust the thermostat control (left knob) to required temperature.
- Once the room reaches the required temperature, the heating element will cut-out. Once the ambient temperature decreases, the heating element will cut back in. The fan heater now starts and stops automatically and thus keeps the room temperature constant.
- Before switching off the heater, please turn the thermostat to **MIN** position & turn the switch to fan position, let the appliance cool down for **five minutes** then turn off the heater and disconnect the plug.
- **DO NOT TURN THE HEATER OFF FROM THE POWER SOURCE UNTIL COOLING THE HEATER DOWN.**



# 4. ASSEMBLY & OPERATING INSTRUCTIONS - CON

## Angle Adjustment:

You can adjust the air outlet angle up to 20 degrees. Firstly tighten the adjustment knobs then gently push down on the back end of the heater or front as per the image below and adjust the direction as required. Do not touch or stand in front of the heater)





## 5. CLEANING, MAINTENANCE & STORAGE

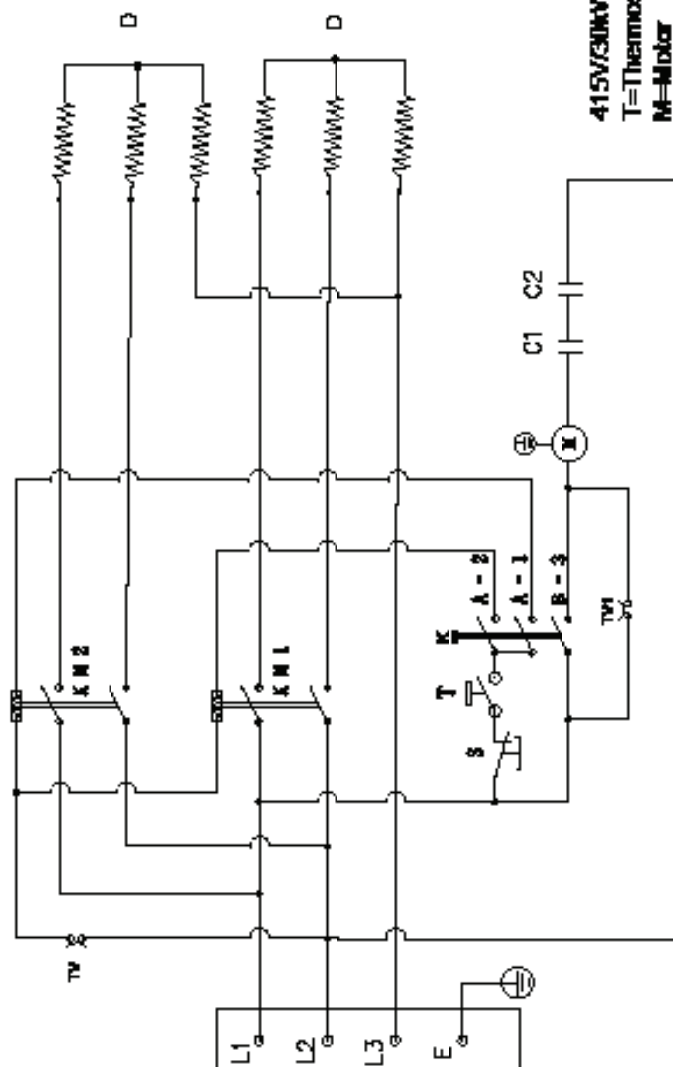
- Before starting any maintenance task, shut down, unplug and let the heater cool down for at least 15 minutes.
- Do not attempt any electrical repair yourself. If the heater needs service or repair, contact Fanmaster or a qualified person.
- When cleaning, make sure that water does not enter the unit.
- Do not open the enclosure to clean the inner parts. Do not spray water into the heater.
- Never use solvents, gasoline, toluene and similar aggressive chemicals to clean the heater.

Regularly wipe the enclosure using a soft sponge or cloth. For very dirty parts, use a sponge wetted with lukewarm water and a mild detergent, then dry using a clean cloth. Regularly inspect the power cable: if worn, cracked or damaged have it replaced by a qualified persons only.

Before storing the heater, make sure it is perfectly cool and dry. Cover the unit with a blanket or tarp and store it in a dry, ventilated place.

# 6. WIRING DIAGRAM

線径	入V線径	管径
10.0	mm-φ11	mm 10.0
8.0	mm-φ10	mm 8.0
6.0	mm-φ8.0	mm 6.0
5.0	mm-φ7.0	mm 5.0
4.0	mm-φ6.0	mm 4.0
3.0	mm-φ5.0	mm 3.0
2.0	mm-φ4.0	mm 2.0
1.5	mm-φ3.0	mm 1.5
1.0	mm-φ2.0	mm 1.0
0.8	mm-φ1.5	mm 0.8



415V/3MW

T=Thermostat K=Switch

M=Motor D=Heater Tube

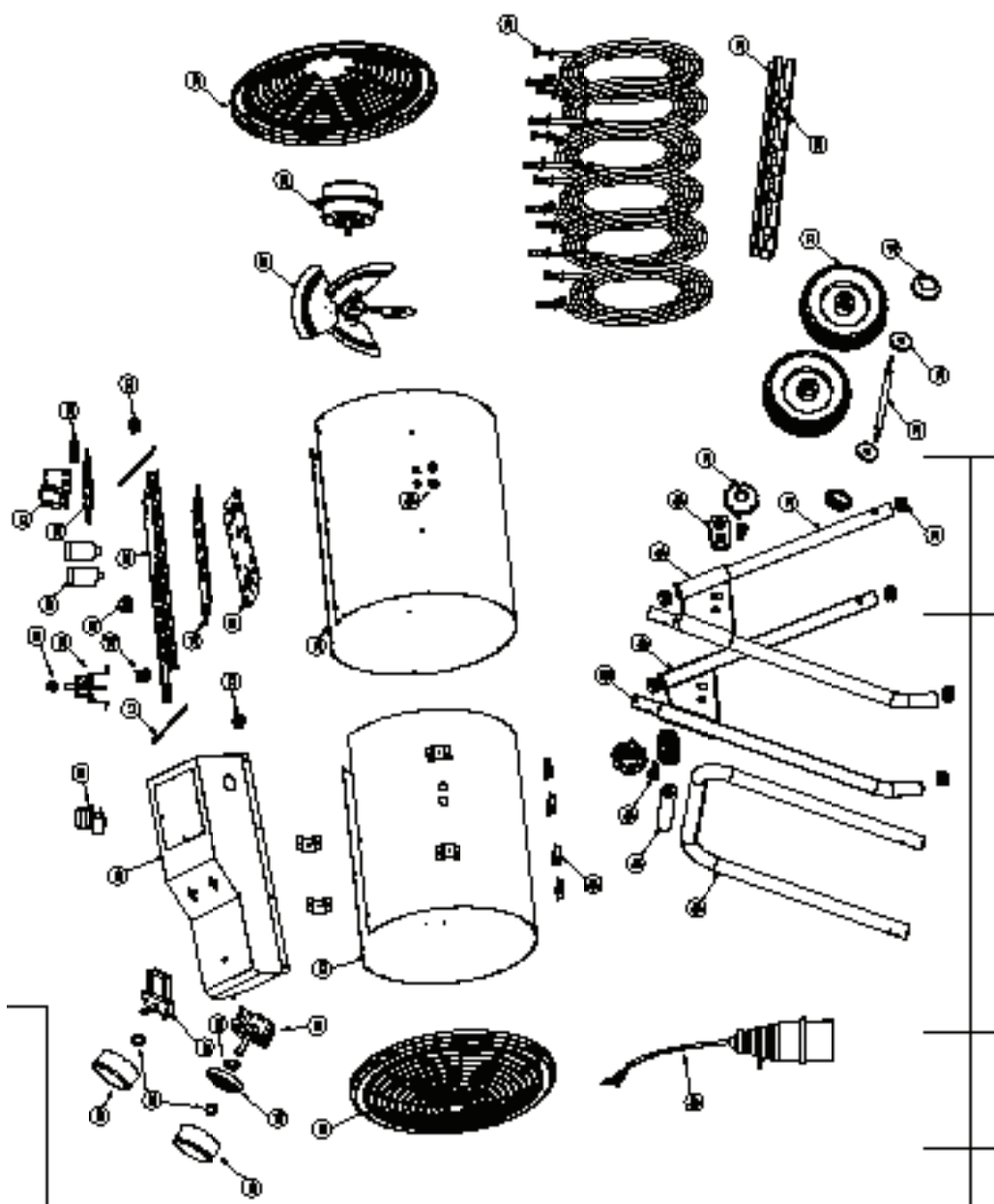
KM1, KM2=AC contactor

TV=Manual reset temperature control

TV1=Delayed temperature control

S=STOP SWITCH

# 7. PARTS BREAKDOWN



# 8. TROUBLESHOOTING

PROBLEM	CAUSE	SOLUTION
<b>The heater does not operate, even when it is plugged in &amp; the switch, thermostat are ON</b>	The plug is loose, bad connection	Disconnect the plug, check the connection of the plug & socket. Try another socket
<b>The heating element is glowing</b>	The input voltage is too high or too low	Check power supply
	The air inlet grill is blocked	Do not block the heater, keep away from articles like curtain, plastic bags, paper and other things which can cover the inlet
<b>The heater doesn't heat up only the fan</b>	The switch was not put on heat setting	Turn switch to heat setting
	Thermostat in operation (ambient temperature achieved or overheating)	Turn the thermostat knob & listen for a click. If there is no click & the thermostat is not damaged, the heater will automatically switch on when the heater has cooled down
	The Self-Resetting thermostat in operation (overheating)	Turn the heater off & inspect the blockage of inlet or outlet. Disconnect the plug & wait at least 10 minutes for the protection system to reset before attempting to restart the heater.
<b>Abnormal noise</b>	Unlevel ground or stand not in upright position	Place heater on a level surface and or correct stand position

# 9. WARRANTY

Any claim under this warranty must be made within 12 months of the date of purchase of the product. To make a claim under the warranty, take the product (with proof of purchase) to the store where you purchased the product or go to <https://www.fanmaster.com.au/warranty-claims-returns>.

This warranty is given by Fanmaster Pty Ltd  
ABN: 45 353 934 457  
Unit 1/6-8 Yalgar Rd, KIRRAWEE NSW 2232  
P: 1300 900 345  
E: [support@fanmaster.com.au](mailto:support@fanmaster.com.au)

This warranty is provided in addition to other rights and remedies you have under law: Our goods come with guarantees which cannot be excluded under the Australian Consumer Law. You are entitled to replacement or refund for a major failure and to compensation for other reasonably foreseeable loss or damage. You are also entitled to have the goods repaired or replaced if the goods fail to be of acceptable quality and the failure does not amount to a major failure.

Exclusions: This warranty does not cover:

- Any defects caused by an accident, misuse, abuse, improper installation or operation, lack of reasonable care, unauthorized modification, loss of parts, tampering or attempted repair by a person not authorized by the distributor.
- Any product that has not been installed, operated or maintained to a satisfactory level.
- Any damage caused by improper power input or improper cable connection.







Fanmaster Pty Ltd | 1/6-8 Yalgar Road, KIRRAWEE NSW 2232  
1300 900 345 | sales@fanmaster.com.au | www.fanmaster.com.au



N11664  
MADE IN CHINA