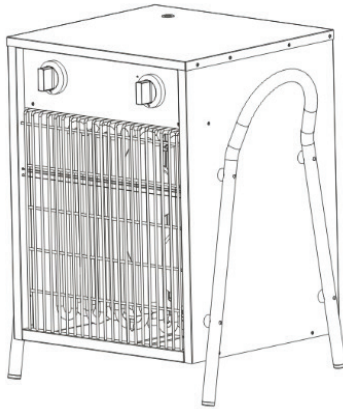




FANMASTER

COOLING HEATING VENTILATION EXTRACTION

INSTRUCTION MANUAL



INDUSTRIAL FAN HEATER ELECTRIC

MODEL: IFH-9

FOR INDUSTRIAL USE ONLY

TO PREVENT SERIOUS INJURY, READ & UNDERSTAND ALL WARNINGS & INSTRUCTIONS BEFORE USE. PLEASE KEEP THIS DOCUMENT FOR YOUR RECORDS

FOR YOUR INFORMATION

Thank you for purchasing a Fanmaster electric fan/space heater. Please read this instruction manual carefully before using this heater.

Disclaimer:

Fanmaster reserves the right to make alterations to specifications, quantities, dimensions, for production or other reasons, subsequent to publication.

While we believe the information is accurate and complete, we make no warranty or representation for any particular purposes. The information is offered in good faith and with the understanding that any use of the units or accessories in breach of the directions and warnings in this document is at the sole discretion and risk of the user.

Disposal Guidelines:

Do not dispose of this product with general household waste. This product must be disposed according to the laws governing Waste Electrical and Electronic Equipment. If required, contact your local authorities for information regarding the available disposal facilities.



1. GENERAL SAFETY RULES & WARNINGS



- PLEASE READ INSTRUCTIONS CAREFULLY.
- PLACE INSTRUCTION MANUAL IN A SAFE PLACE FOR FUTURE REFERENCE. DO NOT ALLOW ANYONE WHO HAS NOT READ THESE INSTRUCTIONS TO ASSEMBLE, ADJUST OR OPERATE THIS HEATER.
- IF THE INFORMATION IN THIS MANUAL IS NOT FOLLOWED EXACTLY, A FIRE OR EXPLOSION MAY RESULT IN CAUSING PROPERTY DAMAGE, SERIOUS INJURY OR LOSS OF LIFE.
- FAILURE TO COMPLY WITH THE PRECAUTIONS AND INSTRUCTIONS PROVIDED WITH THIS HEATER, CAN RESULT IN DEATH, SERIOUS INJURY AND PROPERTY LOSS OR DAMAGE FROM HAZARDS OF FIRE, EXPLOSION, BURN, AND/OR ELECTRICAL SHOCK.
- ONLY PERSONS WHO CAN UNDERSTAND AND FOLLOW THE INSTRUCTIONS SHOULD USE OR SERVICE THIS HEATER. IF YOU NEED ASSISTANCE OR REQUIRE HEATER INFORMATION SUCH AS AN INSTRUCTION MANUAL, LABELS, ETC. CONTACT FANMASTER.
- DO NOT STORE OR USE GASOLINE, PETROL OR ANY OTHER FLAMMABLE OR COMBUSTIBLE VAPORS AND LIQUIDS IN THE VICINITY OF THIS HEATER.
- FIRE, BURN, INHALATION, AND EXPLOSION HAZARD. KEEP SOLID COMBUSTIBLES, SUCH AS BUILDING MATERIALS, PAPER OR CARDBOARD, A SAFE DISTANCE AWAY FROM THE HEATER AS RECOMMENDED BY THE INSTRUCTIONS. NEVER USE THE HEATER IN SPACES WHICH DO OR MAY CONTAIN VOLATILE OR AIRBORNE COMBUSTIBLES, OR PRODUCTS SUCH AS GASOLINE, SOLVENTS, PAINT THINNER, DUST PARTICLES OR UNKNOWN CHEMICALS
- NOT FOR DOMESTIC OR RECREATIONAL VEHICLE USE
- THE ELECTRICAL SYSTEM TO WHICH THE APPLIANCE IS CONNECTED MUST COMPLY WITH LOCAL REGULATIONS. A RESIDUAL-CURRENT DEVICE (RCD) MUST BE INSTALLED.
- UNPLUG THE APPLIANCE BEFORE PERFORMING ANY MAINTENANCE OPERATIONS.
- ALWAYS CHECK THE POWER CABLE BEFORE USING THE APPLIANCE. IT MUST NOT BE BENT, TAUT, STRETCHED, CRUSHED OR ANY WAY DAMAGED.
- IF THE POWER CORD AND/OR PLUG IS DAMAGED, IT MUST BE REPLACED BY FANMASTER, A SERVICE AGENT OR A QUALIFIED PERSONS.
- DO NOT COVER THE FAN HEATER
- THE FRONT OUTLET IS VERY HOT DURING OPERATION. DO NOT TOUCH! BURN DANGER.
- DO NOT LEAVE THE HEATER UNATTENDED WHEN IN USE.
- NEVER USE THE HEATER WITH WET HANDS OR WHEN EITHER THE HEATER OR THE POWER CABLE IS WET.
- CHILDREN SHOULD BE SUPERVISED TO ENSURE THAT THEY DO NOT PLAY WITH THE HEATER.
- THE HEATER IS NOT INTENDED FOR USE BY PERSONS (INCLUDING CHILDREN) WITH REDUCED PHYSICAL, SENSORY OR MENTAL CAPABILITIES, OR LACK OF EXPERIENCE & KNOWLEDGE.
- DO NOT CONNECT AN EXTERNAL ON/OFF TIMES OR OTHER AUTOMATIC SWITCH.
- IF AN EXTENSION CORD IS USED, IT MUST NOT BE LONGER THAN 2m.

2. PRODUCT DESCRIPTION & SPECIFICATIONS

PRODUCT DESCRIPTION

Industrial electric space/fan heater.

SPECIFICATIONS

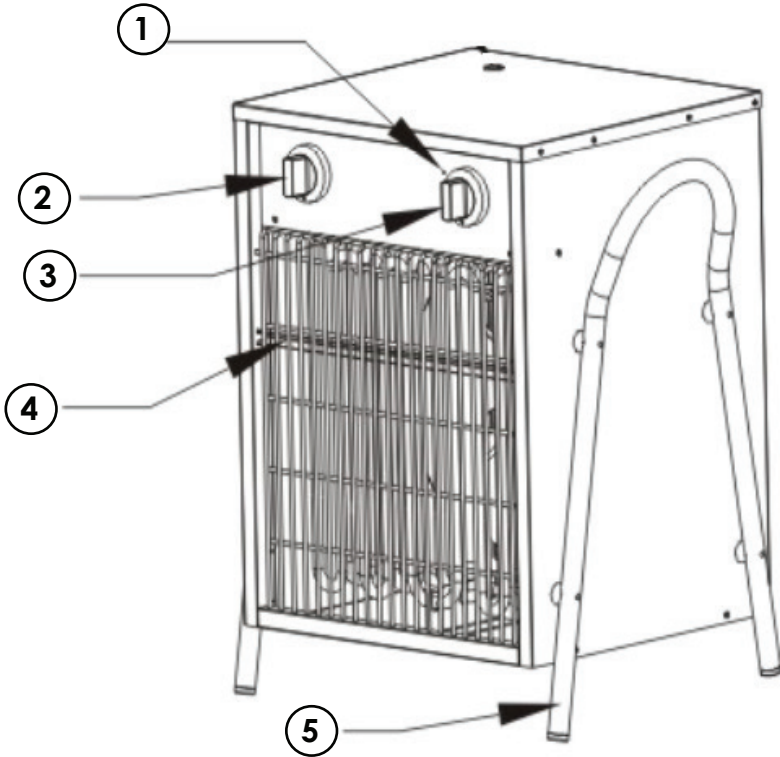
| MODEL | IFH-9 |
|-----------------------|--------------------------------------|
| Heat Output | 9 KW 30,708 BTU |
| Air Flow (L/s) | 222 |
| Control settings | 1 x Fan setting 2 x Heat settings |
| Settings (KW) | FAN/4.5/9 |
| Voltage (V/Hz) | 415/50 |
| Plug | 4 Pin 20amp |
| Adjustable thermostat | 40°C |
| Net Weight (kg) | 9.4 |
| Dimensions (mm) | 450(L)*355(W)*498(H) |

SAFETY DEVICES

- **Manual Reset** - this will be required if abnormal operation occurs e.g. power outage, voltage drop or overtemperature.
- **Time Delay Thermostat** - the fan will continue to run once the heating elements have been turned off

3. GETTING TO KNOW YOUR HEATER

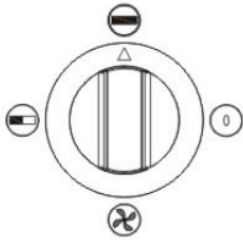
Remove the heater from the carton. If the heater is damaged, please contact Fanmaster or where you purchased the heater from.



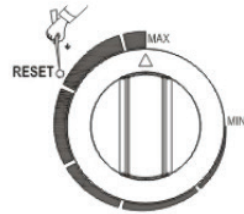
- 1. Manual Reset
- 2. Switch Knob
- 3. Thermostat Knob
- 4. Elements
- 5. Steel frame/feet

3. GETTING TO KNOW YOUR HEATER - CONTINUED

CONTROL PANEL



9 kW
DO NOT COVER



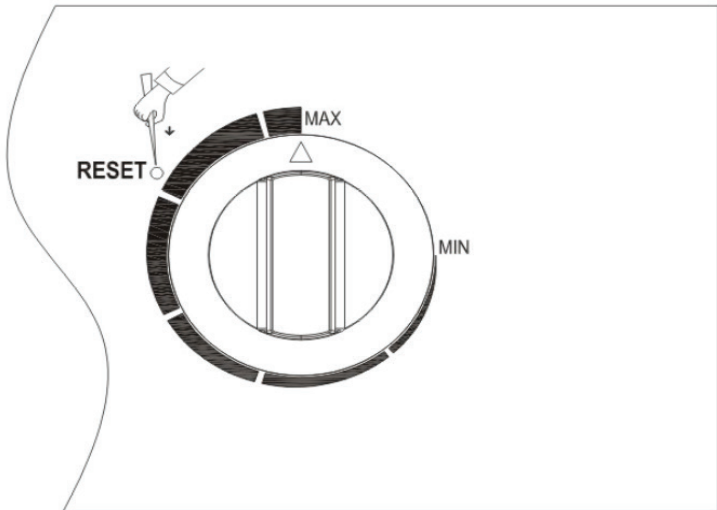
- **Left Knob** = switch control settings
- **Right Knob** = thermostat control

The rotary switch (left knob) has 3 settings & 4 positions:

- OFF
- 1st Setting: FAN ONLY
- 2nd Setting: Heating 4.5 KW
- 3rd Setting: Heating 9 KW

The adjustable thermostat control (right knob) can be turned 0 to 270 degree, you can control the room temperature between 0~40°C.

Manual Reset



TIPS

- Where possible a nice enclosed environment will get the best performance from this heater.

4. OPERATING INSTRUCTIONS

First time use, you may notice a slight emission of smoke. This is quite normal & it will stop after a short time. The heating element is coated with a protection oil.

- Position the heater so it stands upright & is on a firm surface and at a safe distance from wet environments and flammable objects.
- Connect the plug to the relevant power source.
- Set the thermostat control (right knob) to **MAX** & switch control (left knob) to the highest setting and let the heater operate on full power for 5 to 10 minutes.
- Adjust the thermostat control (right knob) to required temperature.
- Once the room reaches the required temperature, the heating element will cut-out. Once the ambient temperature decreases, the heating element will cut back in. The fan heater now starts and stops automatically and thus keeps the room temperature constant.
- Before switching off the heater, please turn the thermostat to **MIN** position & turn the switch to fan position, let the appliance cool down for **four minutes** then turn off the heater and pull out the plug.
- **DO NOT TURN THE HEATER OFF FROM THE POWER SOURCE UNTIL COOLING THE HEATER DOWN.**

5. CLEANING, MAINTENANCE & STORAGE

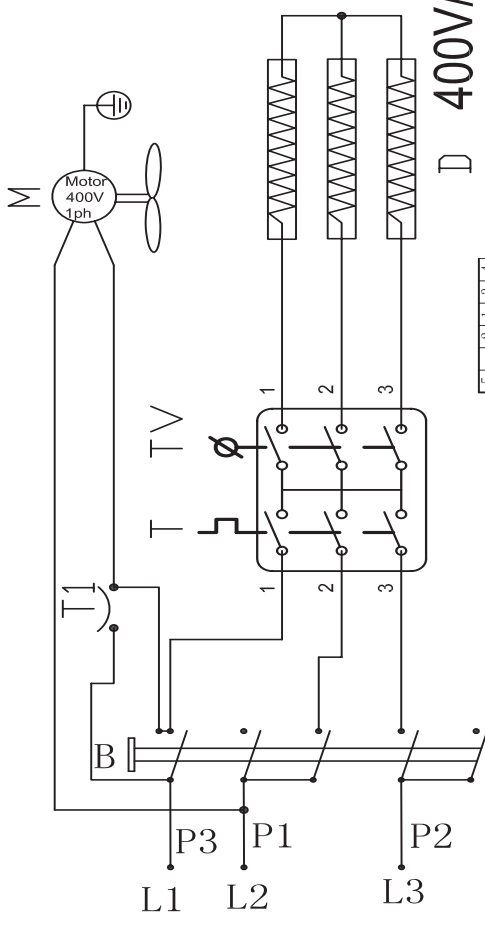
- Before starting any maintenance task, shut down, unplug and let the heater cool down for at least 15 minutes.
- Do not attempt any electrical repair yourself. If the heater needs service or repair, contact Fanmaster or a qualified person.
- When cleaning, make sure that water does not enter the unit.
- Do not open the enclosure to clean the inner parts. Do not spray water into the heater.
- Never use solvents, gasoline, toluene and similar aggressive chemicals to clean the heater.

Regularly wipe the enclosure using a soft sponge or cloth. For very dirty parts, use a sponge wetted with lukewarm water and a mild detergent, then dry using a clean cloth. Regularly inspect the power cable: if worn, cracked or damaged have it replaced by a qualified persons only.

Before storing the heater, make sure it is perfectly cool and dry. Cover the unit with a blanket or tarp and store it in a dry, ventilated place.

6. WIRING DIAGRAM

Model:9KW



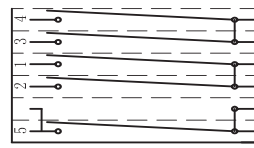
D 400V/9kW

T=Thermostat
B=Switch
M=Motor

TV=non-Self-resetting Thermal cut-oud
D=230V 3000W Heater Tube
T1=Time-delay Thermostat

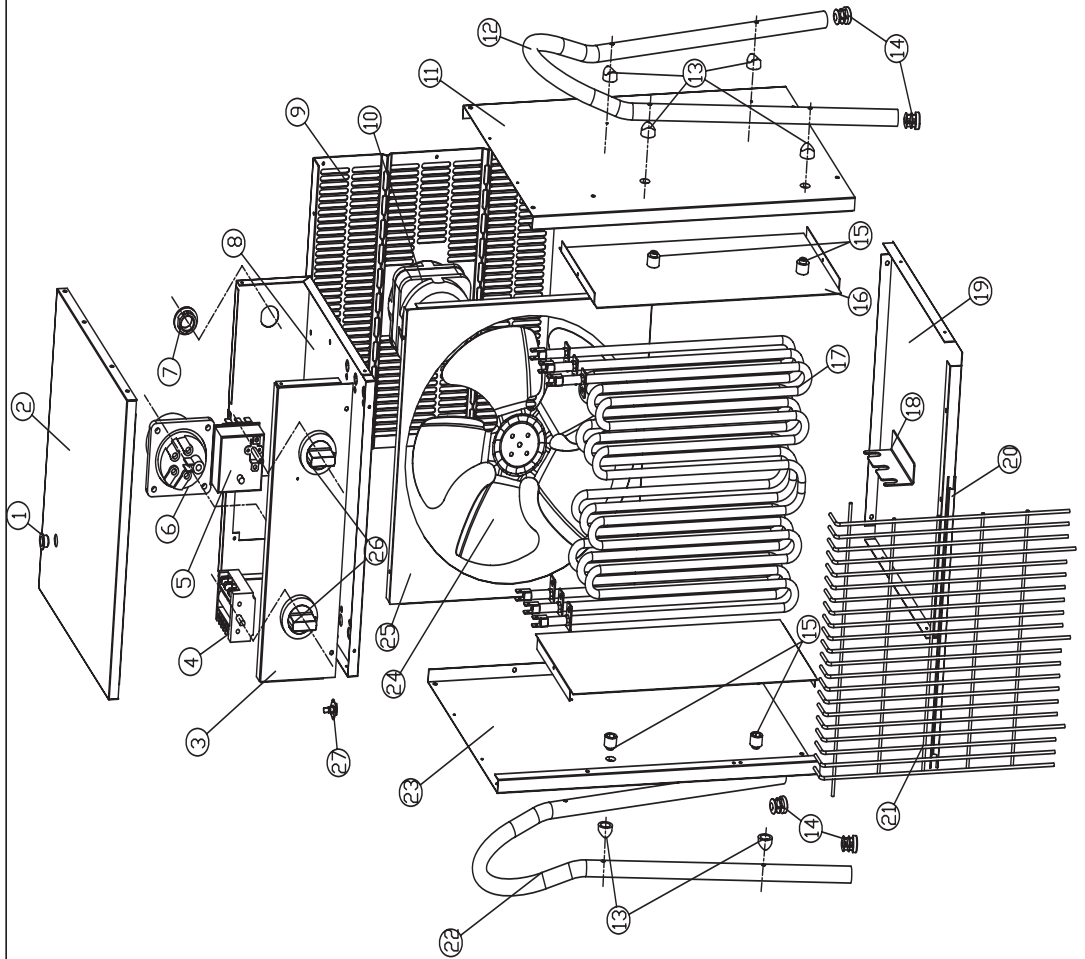
Switch

- OFF
- ⊗ POS.5
- ⊕ POS.5+2
- ⊙ POS.5+2+3



| | | | | | | | | |
|---|---|---|---|--|--|--|--|--------|
| 0 | | | | | | | | ⊕ 0° |
| 1 | ⊗ | | | | | | | ⊕ 90° |
| 2 | ⊕ | ⊗ | | | | | | ⊕ 180° |
| 3 | ⊙ | ⊕ | ⊗ | | | | | ⊕ 270° |

7. PARTS BREAKDOWN



8. TROUBLESHOOTING

| PROBLEM | CAUSE | SOLUTION |
|--|---|---|
| The heater does not operate, even when it is plugged in & the switch, thermostat are ON | The plug is loose, bad connection | Disconnect the plug, check the connection of the plug & socket. Try another socket |
| The heating element is glowing | The input voltage is too high or too low | Check power supply |
| | The air inlet grill is blocked | Do not block the heater, keep away from articles like curtain, plastic bags, paper and other things which can cover the inlet |
| The heater doesn't heat up only the fan | The switch was not put on heat setting | Turn switch to heat setting |
| | Thermostat in operation (ambient temperature acheived or overheating) | Turn the thermostat knob & listen for a click. If there is no click & the thermostat is not damaged, the heater will automaticaly switch on when the heater has cooled down |
| | The manual reset is in operation | Disconnet the power, use a thin pin 2mm and insert it in the manual reset hole and press down until you hear a click. |
| Abnormal noise | Unlevel ground or stand not in upright position | Place heater on a level surface and or correct stnad positon |

9. WARRANTY

Any claim under this warranty must be made within 12 months of the date of purchase of the product. To make a claim under the warranty, take the product (with proof of purchase) to the store where you purchased the product or go to <https://www.fanmaster.com.au/warranty-claims-returns>.

This warranty is given by Fanmaster Pty Ltd
ABN: 45 353 934 457
Unit 1/6-8 Yalgar Rd, KIRRAWEE NSW 2232
P: 1300 900 345
E: warranties@fanmaster.com.au

This warranty is provided in addition to other rights and remedies you have under law: Our goods come with guarantees which cannot be excluded under the Australian Consumer Law. You are entitled to replacement or refund for a major failure and to compensation for other reasonably foreseeable loss or damage. You are also entitled to have the goods repaired or replaced if the goods fail to be of acceptable quality and the failure does not amount to a major failure.

Exclusions: This warranty does not cover:

- Any defects caused by an accident, misuse, abuse, improper installation or operation, lack of reasonable care, unauthorized modification, loss of parts, tampering or attempted repair by a person not authorized by the distributor.
- Any product that has not been installed, operated or maintained to a satisfactory level.
- Any damage caused by improper power input or improper cable connection.



Fanmaster Pty Ltd | 1/6-8 Yalgar Road, KIRRAWEE NSW 2232
1300 900 345 | sales@fanmaster.com.au | www.fanmaster.com.au



N11664
MADE IN CHINA